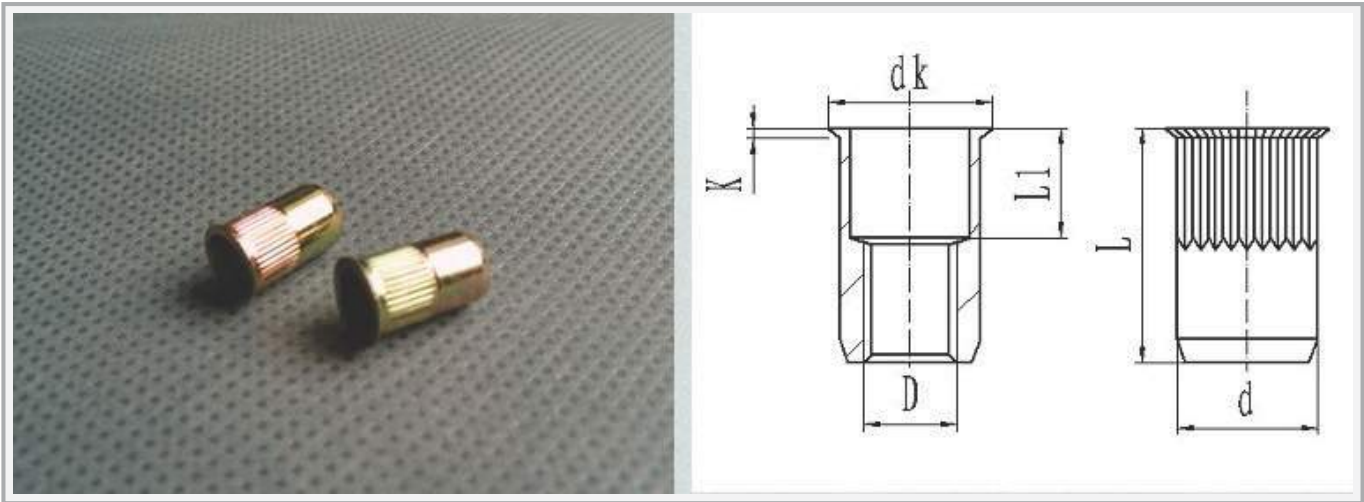


SMALL COUNTERSUNK HEAD RIVET NUT VERTICAL STRIPES

Subsection rivet nut similar to GB GB/T17880.4-1999 specific size according to the requirements of the customers and the company's understanding of the products were re-enacted, the cylindrical surface of the non-slip stripes and cap teeth, extremely the large increase in the rotation torque rotation torque values by the detection of the Company's products greatly to exceed the standard requirements. The product because of the cap diameter is small and thin so riveting riveting plate surface flat, the main recommended products for my company. Thread sizes Metric M3-M12. The American 6 # -1/2UNC, Inch 5/32.



Product Code	D-6h	Dk	K	L1	L	D	Mounting Hole	Riveting Range
HTM3-9SK	M3	6.0	0.5	4.5	9	4.9	5.0	0.5-2.0
HTM4-10SK	M4	7.0	0.5	5.0	10	5.9	6.0	0.5-2.0
HTM5-12-ASK	M5	8.0	0.5	4.5	12	6.9	7.0	0.5-1.0
HTM5-12-BSK	M5	8.0	0.5	5.8	12	6.9	7.0	1.0-2.5
HTM6-14SK	M6	10.0	0.6	6.5	14	8.9	9.0	0.5-3.0
HTM6-15SK	M6	10.0	0.6	6.5	14	8.9	9.0	0.5-3.0
HTM8-16SK	M8	12.5	0.8	7.0	16	10.9	11.0	0.5-3.0
HTM10-19SK	M10	14.5	0.9	8.0	19	12.9	13.0	0.5-3.0