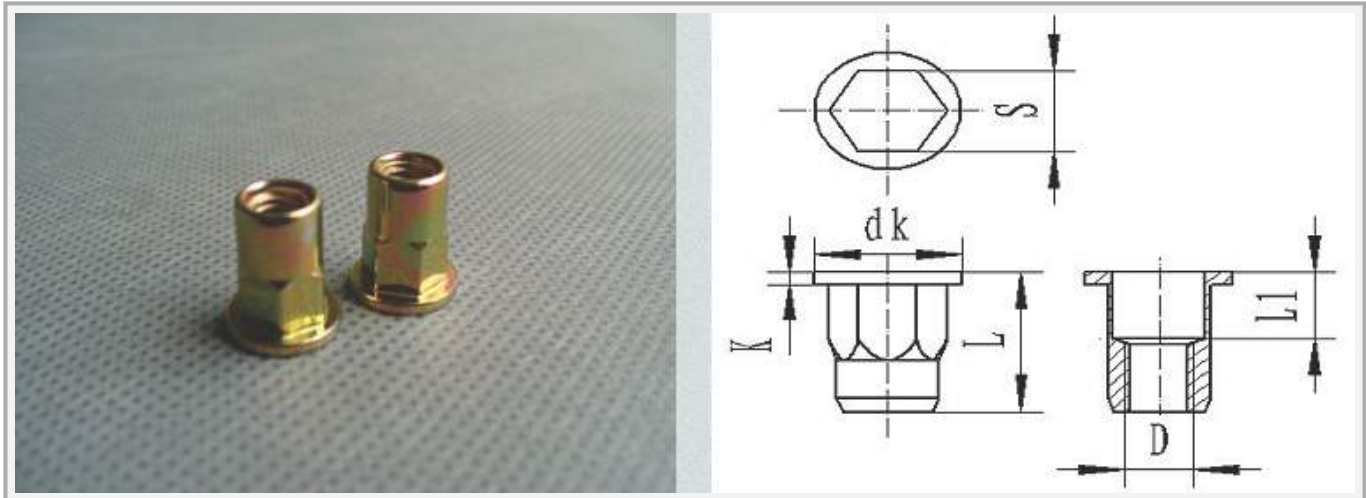


FLAT HEAD HALF HEX RIVET NUT

The rivet nut GB/T1788.5-1999 variability install than full Hexagon smoothly. Need to be punched rivet nuts hexagon the matching hexagonal hole, the installation can be obtained after a lot of rotation torque. Variant zone pass hexagonal and round hole two, hexagonal hole more uniform thickness riveting than the round hole easily, customers can choose according to their own preferences. The thread specifications of M4-M10.



Product Code	D	Dk	K	L1	L	S	Installed hexagonal hole on the side	Riveting range
HT4-11FSHM	M4	9.0	1.0	5.0	11.0	5.9	6.0	0.5-1.5
HT5-11FSHM	M5	10.0	1.0	5.0	11.0	6.9	7.0	0.5-1.0
HT5-13FSHM	M5	10.0	1.0	6.5	13.0	6.9	7.0	0.5-2.0
HT6-15FSHM	M6	13.0	1.5	7.0	15.0	8.9	9.0	0.5-2.5
HT6-18FSHM	M8	16.0	1.5	8.0	18.0	10.9	9.0	0.5-3.0
HT10-20FSKM	M8	18.0	1.8	9.0	20.0	12.9	13.0	1.0-4.0