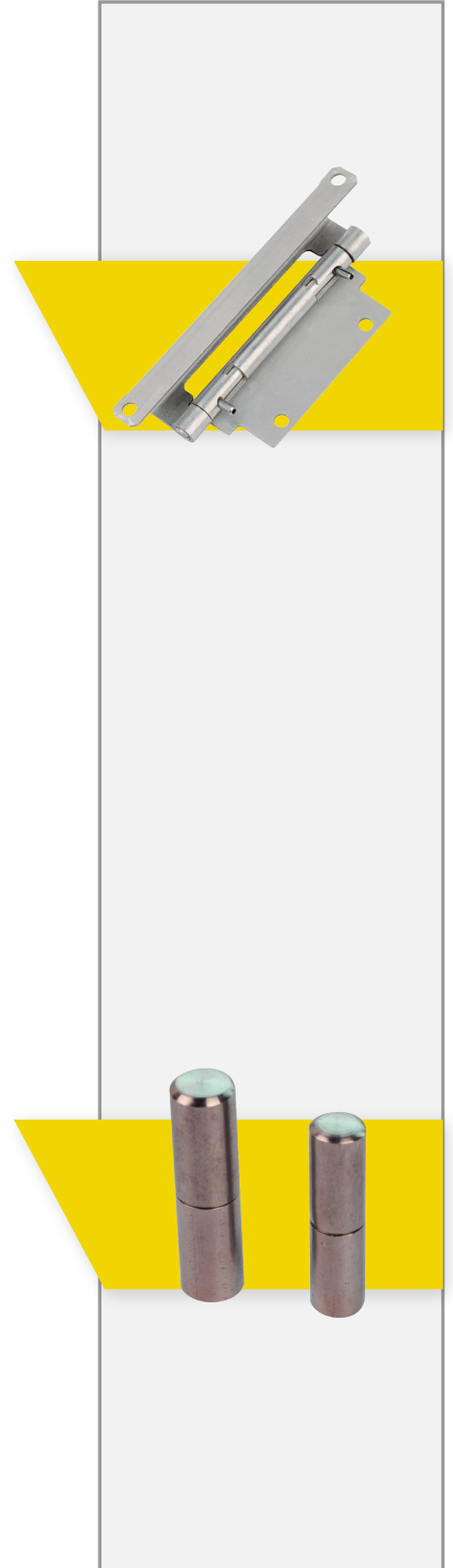
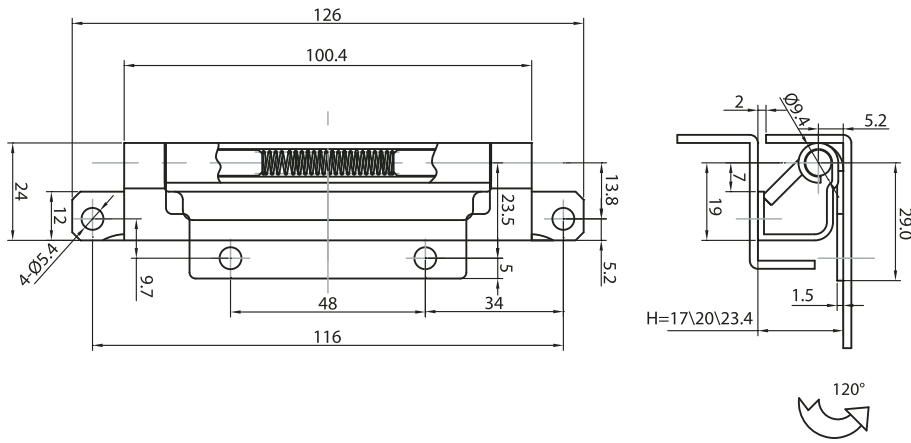
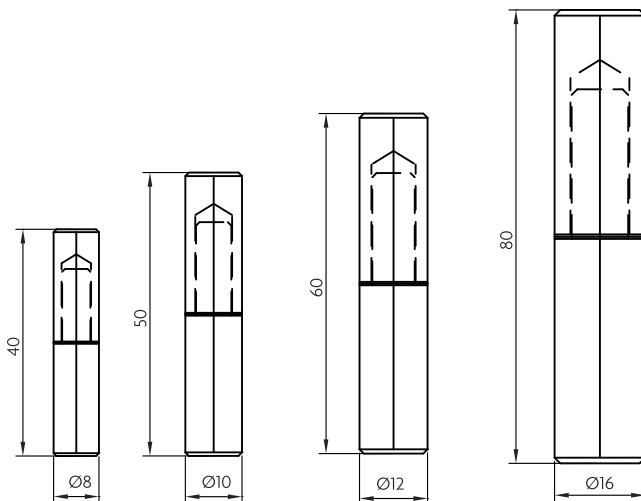


CONCEALED HINGE

M.S. zinc plating or Stainless steel.



H	SUS304	Steel
H=17	2410-17-304	2410-17-01
H=20	2410-20-304	2410-20-01
H=23.4	2410-234-304	2410-234-01



M.S. zinc plating or Stainless steel

	L=40	L=50	L=60	L=80
SUS304	2412-40-304	2412-50-304	2412-60-304	2412-80-304
Steel	2412-40-01	2412-50-01	2412-60-01	2412-80-01