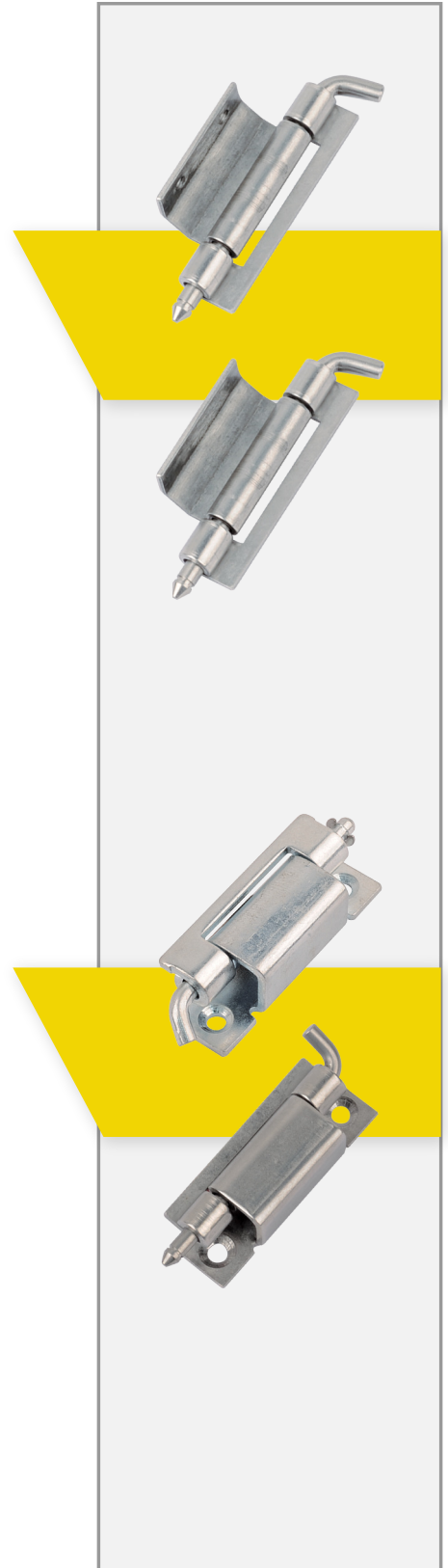
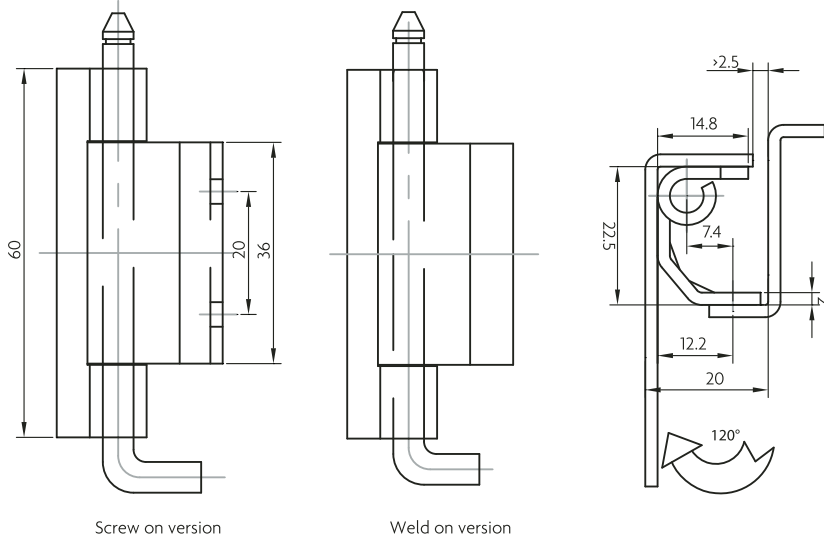
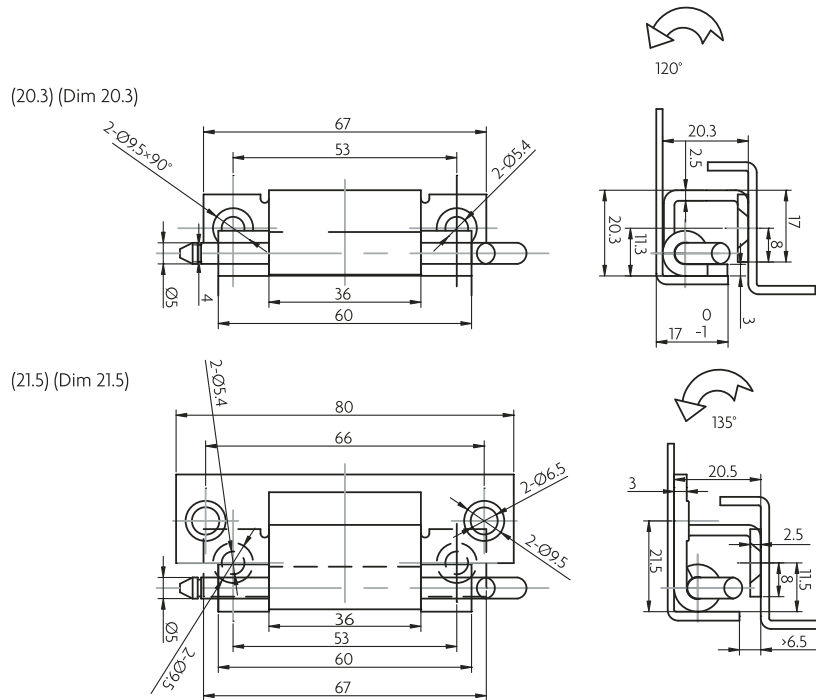


CONCEALED HINGE

M.S. zinc plating or Stainless steel.



	SUS304	Steel
Screw on version	2406-011-304	2406-011-01
Weld on version	2406-012-304	2406-012-01



M.S. zinc plating or Stainless steel

	SUS304	Steel
(20.3) (Dim 20.3)	2407-011-304	2407-011-01
(21.5) (Dim 21.5)	2407-012-304	2407-012-01