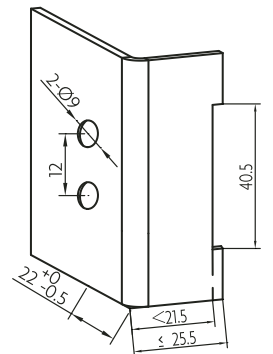
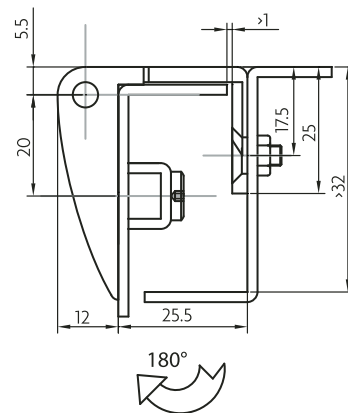
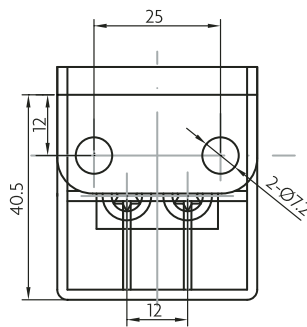


Matte Black Powder Coat

2310-01-10



Zinc die casting in powder coated, M.S. zinc plating or SUS pin.

Matte Black Powder Coat

Bule green powder coat

2310-02-10

2310-02-60