

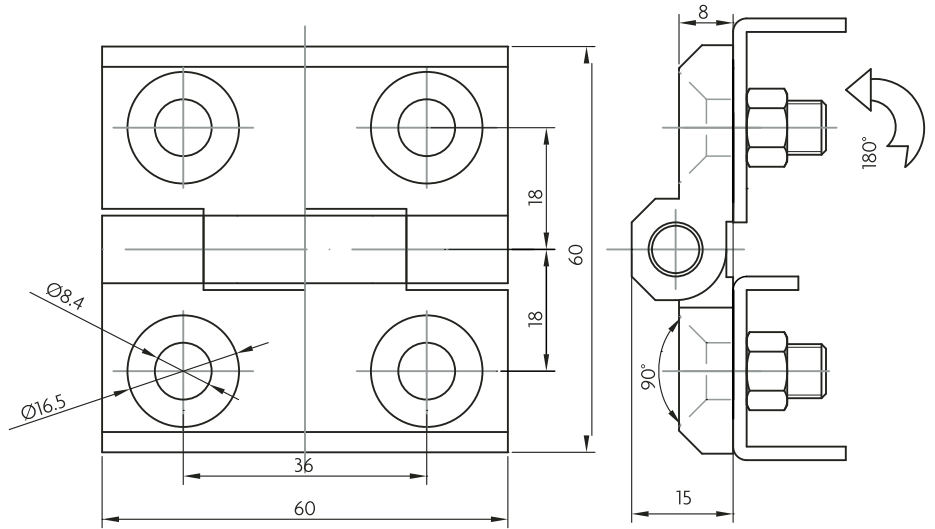
SCREW ON-HINGE

Zinc die casting, M.S zinc plating or SUS pin and threaded studs, Powder coated or chrome surface.

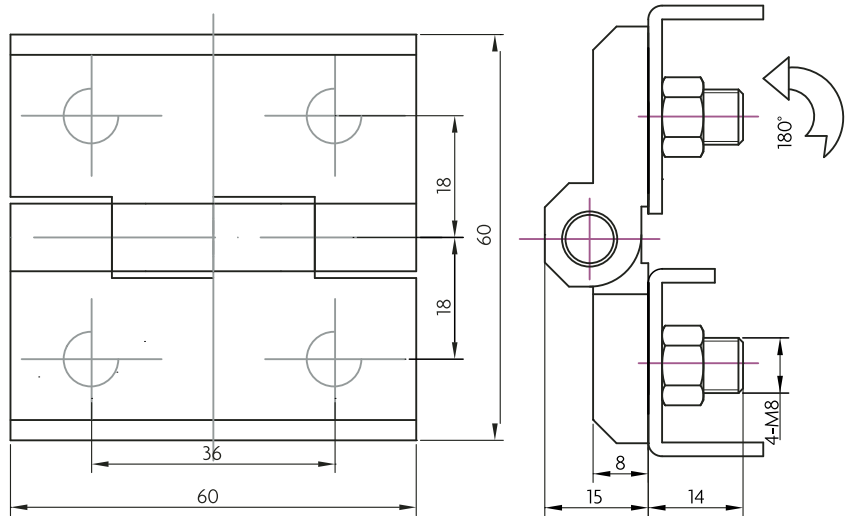
02 HINGES



Countersunk Screw M8



With Threaded Studs M8



SUS material upon request

Screw-on Hinge 60x60		
Surface	Countersunk Screw M8	With Threaded Studs M8
Matt Black Powder Coat	2101-600-10	2101-601-10
Bright Chrome	2101-600-30	2101-601-30
316 SUS316	2101-600-SUS	