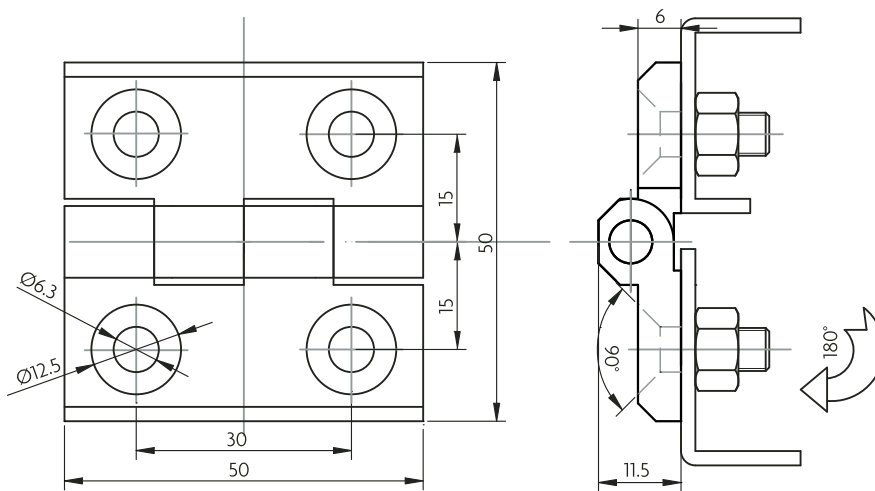
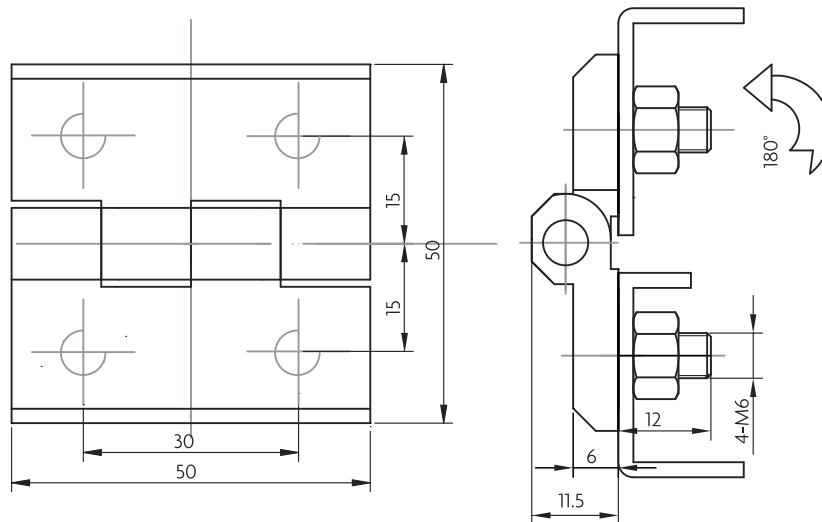


Zinc die casting, M.S zinc plating or SUS pin and threaded studs, Powder coated or chrome surface.

Countersunk Screw M6



With Threaded Studs M6



SUS material upon request

Screw-on Hinge 50x50		
Surface	Countersunk Screw M6	With Threaded Studs M6
Mattle Black Powder Coat	2101-500-10	2101-501-10
Bright Chrome	2101-500-30	2101-501-30
316 SUS316	2101-500-SUS	

