

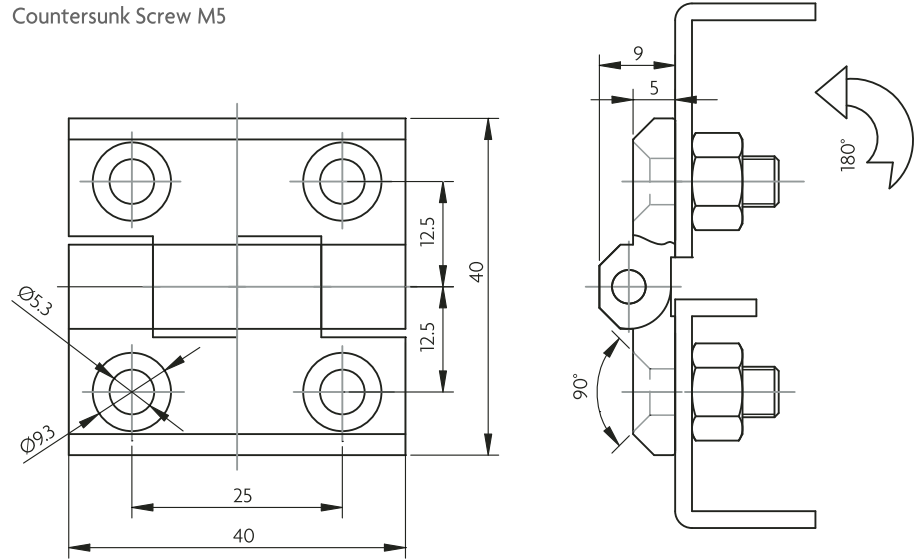
SCREW ON-HINGE

Zinc die casting, M.S zinc plating or SUS pin and threaded studs, Powder coated or chrome surface.

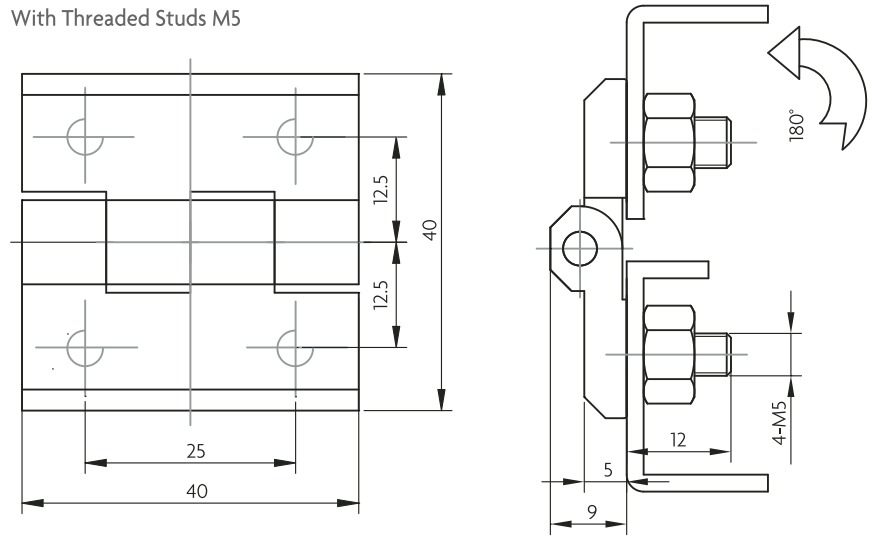
02 HINGES



Countersunk Screw M5



With Threaded Studs M5



Zinc die casting, M.S zinc plating or SUS pin and threaded studs, Powder coated or chrome surface.
SUS material upon request

Accessories Ref. page #

1. Cam ref. to page 41

Note:

1. Key diff. upon request.

Screw-on Hinge 40X40		
Surface	Countersunk Screw M5	With Threaded Studs M5
Mattle Black Powder Coat	2101-400-10	2101-401-10
Bright Chrome	2101-400-30	2101-401-30
316 SUS316	2101-400-SUS	