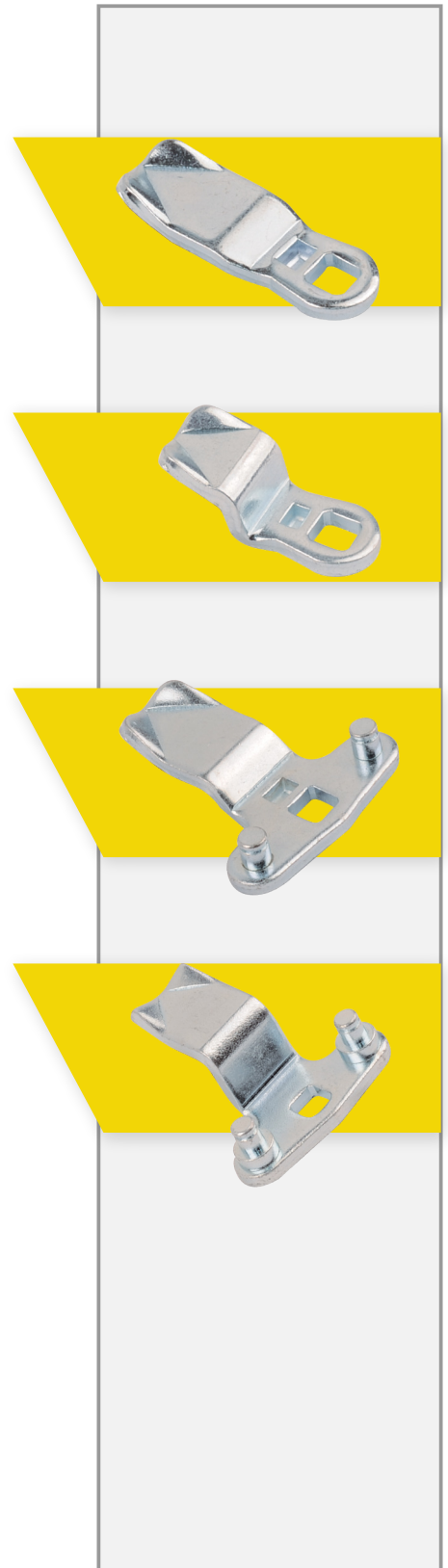
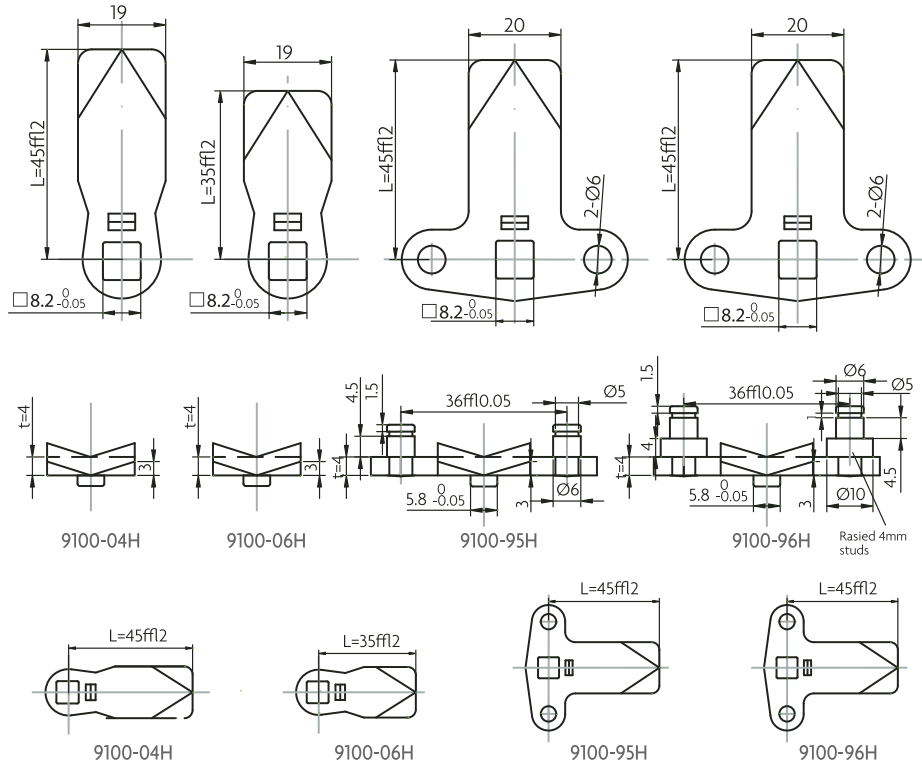


M.S .zinc plating,Stainless steel material upon request.

04 ACCESORIES



| H | 6H=18 | 6H=18 | 6H=18 | 6H=18 |
|----|-----------|-----------|-----------|-----------|
| 2 | 9100-0402 | | | |
| 4 | 9100-0404 | | 9100-9504 | 9100-9604 |
| 6 | 9100-0406 | 9100-0606 | 9100-9506 | 9100-9606 |
| 8 | 9100-0408 | 9100-0608 | 9100-9508 | 9100-9608 |
| 10 | 9100-0410 | 9100-0610 | 9100-9510 | 9100-9610 |
| 13 | 9100-0413 | 9100-0613 | 9100-9513 | 9100-9613 |
| 14 | 9100-0414 | 9100-0614 | 9100-9514 | 9100-9614 |
| 16 | 9100-0416 | 9100-0616 | 9100-9516 | 9100-9616 |
| 18 | 9100-0418 | 9100-0618 | 9100-9518 | 9100-9618 |
| 20 | 9100-0420 | 9100-0620 | 9100-9520 | 9100-9620 |
| 22 | 9100-0422 | 9100-0622 | 9100-9522 | 9100-9622 |
| 24 | 9100-0424 | 9100-0624 | 9100-9524 | 9100-9624 |
| 25 | 9100-0425 | 9100-0625 | 9100-9525 | 9100-9625 |
| 26 | 9100-0426 | 9100-0626 | 9100-9526 | 9100-9626 |
| 28 | 9100-0428 | 9100-0628 | 9100-9528 | 9100-9628 |
| 30 | 9100-0430 | 9100-0630 | 9100-9530 | 9100-9630 |
| 32 | 9100-0432 | | 9100-9532 | 9100-9632 |
| 34 | 9100-0434 | | 9100-9534 | 9100-9634 |
| 35 | 9100-0435 | 9100-0635 | 9100-9535 | 9100-9635 |
| 36 | 9100-0436 | | 9100-9536 | 9100-9636 |
| 38 | 9100-0438 | 9100-0638 | 9100-9538 | 9100-9638 |
| 40 | 9100-0440 | 9100-0640 | 9100-9540 | 9100-9640 |
| 42 | 9100-0442 | 9100-0642 | 9100-9542 | 9100-9642 |
| 44 | 9100-0444 | 9100-0644 | 9100-9544 | 9100-9644 |
| 45 | 9100-0445 | | 9100-9545 | 9100-9645 |
| 47 | 9100-0447 | | 9100-9547 | 9100-9647 |
| 50 | 9100-0450 | | 9100-9550 | 9100-9650 |
| 53 | 9100-0453 | | | |
| 55 | 9100-0455 | | | |