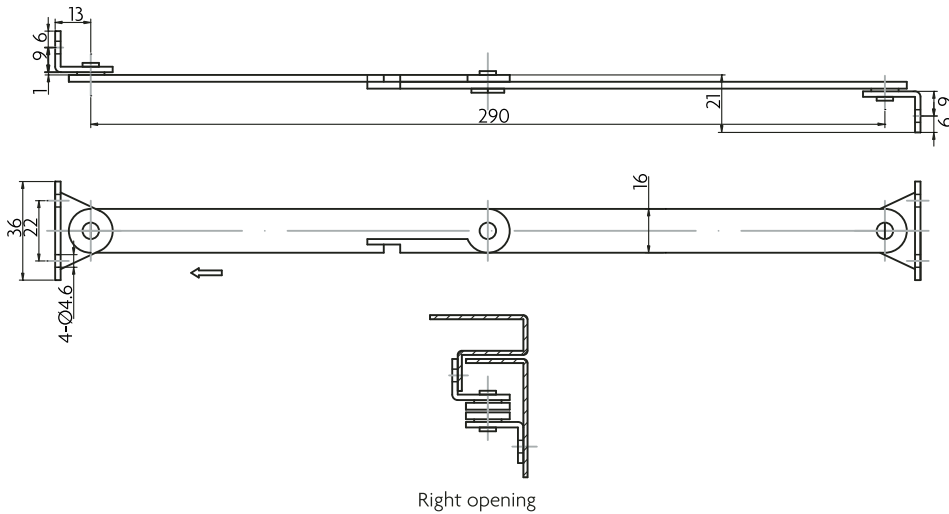
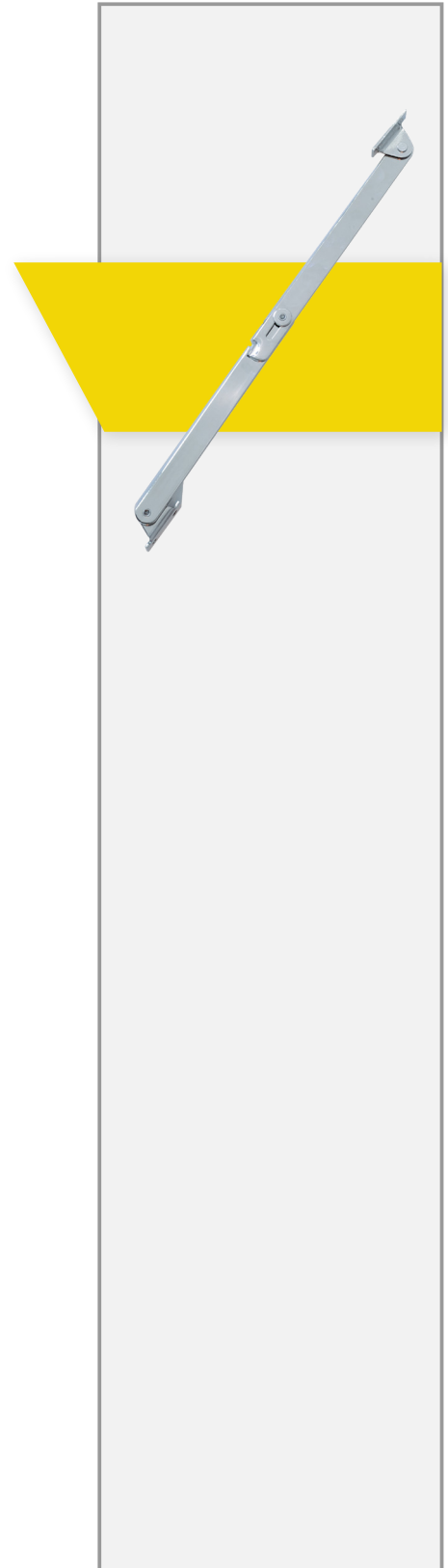
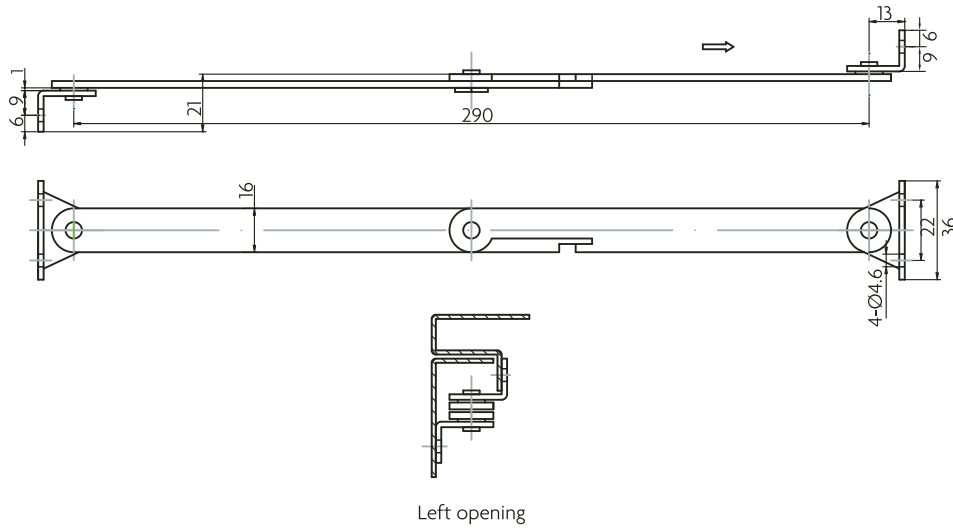


**TELESCOPIC COVER STAY**  
M.S. Nickel plating or Stainless steel.



	Steel in nickel plating	304
Left opening	6104-01-00	6104-01-304
Right opening	6104-02-00	6104-02-304